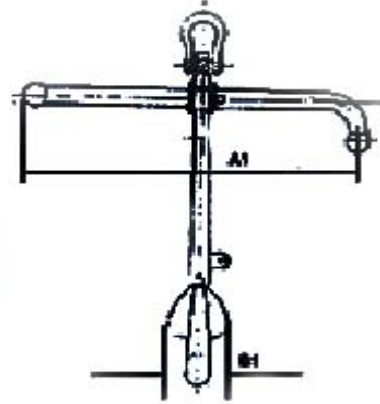
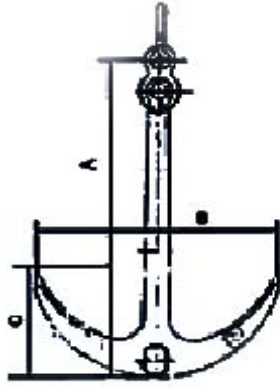


# ADMIRALTY ANCHOR



Anchor kg	Dimensions in mm				
	A	A1	B	C	B1
50	960	1000	635	230	185
75	1105	1130	710	266	210
100	1215	1250	780	293	230
125	1310	1330	840	316	245
150	1395	1100	900	336	265
200	1535	1525	990	370	290
250	1650	1635	1065	298	310
300	1755	1740	1105	423	330
400	1930	1930	1240	465	365
500	2080	2080	1335	502	390
600	2210	2200	1440	533	415
700	2330	2320	1500	560	440
800	2435	2430	1570	587	460
900	2525	2515	1630	610	475
1000	2620	2600	1685	633	495
1250	2825	2790	1810	680	535
1500	3000	2930	1955	725	565
2000	3300	3190	2140	797	625
2500	3550	3390	2277	854	670
3000	3780	3590	2415	912	715
3500	3987	3745	2552	962	752
4000	4195	3900	2690	1012	790
4500	4360	4030	2797	1052	820
5000	4525	4160	2905	1092	850
5500	4667	4252	2995	1126	877
6000	4810	4345	3885	1160	905
6500	4955	4435	3177	1195	932
7000	5100	4525	3270	1230	960
7500	5222	4595	3350	1260	982
8000	5345	4665	3430	1290	1005
8500	5470	4730	3510	1320	1030
9000	5595	4795	3590	1350	1055
9500	5677	4822	3645	1370	1070
10000	5760	4850	3700	1390	1085
10500	5845	4872	3750	1410	1100

(Remark: All Weights & Dimensions are approximate, the measurements may vary between different factories)

