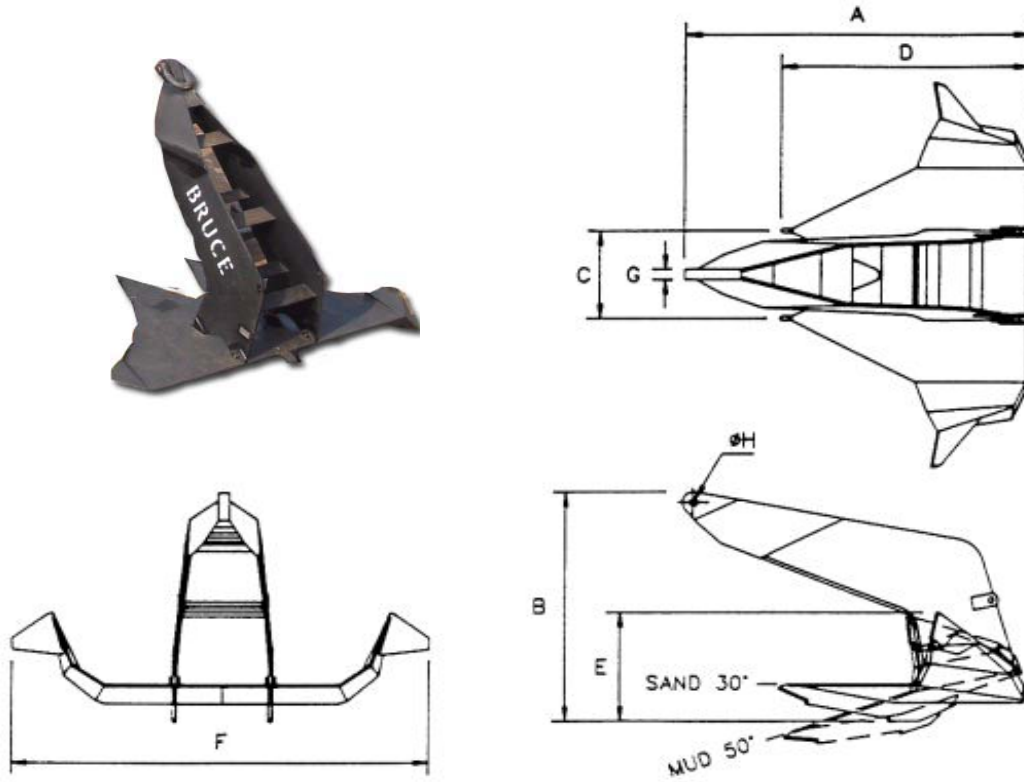


BRUCE FFTS ANCHORS



Anchor kg	Dimensions in mm							
	A	B	C	D	E	F	G max.	H min.
500	1827	1280	500	1303	606	2188	58	44
1500	2648	1854	723	1888	878	3172	65	53
3000	3409	2388	931	2431	1131	4085	95	75
5000	4029	2822	1100	2873	1336	4828	115	87
9000	4846	3394	1324	3456	1607	5806	157	117
12000	5437	3808	1486	3878	1803	6514	157	117
15000	5728	4012	1566	4085	1900	6864	157	117
20000	6319	4426	1726	4507	2096	7571	180	155
30000	7225	5060	1974	5153	2396	8656	180	155
40000	8034	5627	2195	5730	2664	9626	210	180

(Remark: All Weights & Dimensions are approximate, the measurements may vary between different factories)