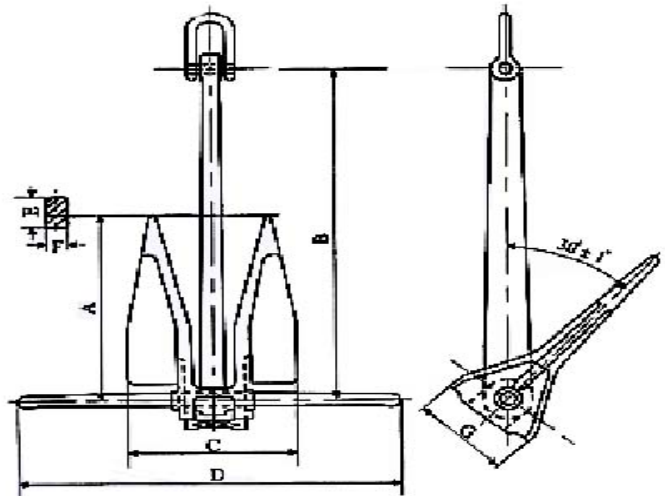


DANFORTH ANCHOR



Anchor kg	Dimensions in mm			
	A	B	C	D
8	201	322	133	312
16	253	406	168	394
30	312	500	207	485
50	370	594	246	576
75	424	680	281	659
100	467	748	309	725
150	534	856	354	830
200	588	842	390	914
300	673	1079	446	1046
330	695	1114	461	1080
350	709	1136	470	1101
400	741	1187	491	1151
450	770	1235	511	1197
500	798	1279	529	1240
600	848	1359	562	1318
750	913	1469	606	1419
800	933	1496	619	1450
900	971	1556	643	1508
1000	1005	1611	666	1562
2000	1267	2030	840	1968
2500	1365	2187	904	2120
3000	1450	2324	961	2253
4400	1648	2641	1092	2560
5000	1719	2756	1140	2671
6000	1827	2928	1211	2839
7000	1923	3083	1275	2989
8000	2011	3222	1333	3125
9000	2091	3352	1386	3250

Anchor kg	Dimensions in mm			
	A	B	C	D
10000	2166	3471	1436	3366
11000	2236	3584	1482	3475
12000	2302	3689	1526	3577
13000	2364	3789	1567	3673
14000	2423	3884	1606	3765
15000	2480	3974	1644	3853
16000	2533	4061	1679	3937
17000	2585	4143	1714	4017
18000	2635	4223	1747	4094
19000	2682	4300	1778	4169
20000	2729	4374	1809	4241

(Remark: All Weights & Dimensions are approximate, the measurements may vary between different factories)

