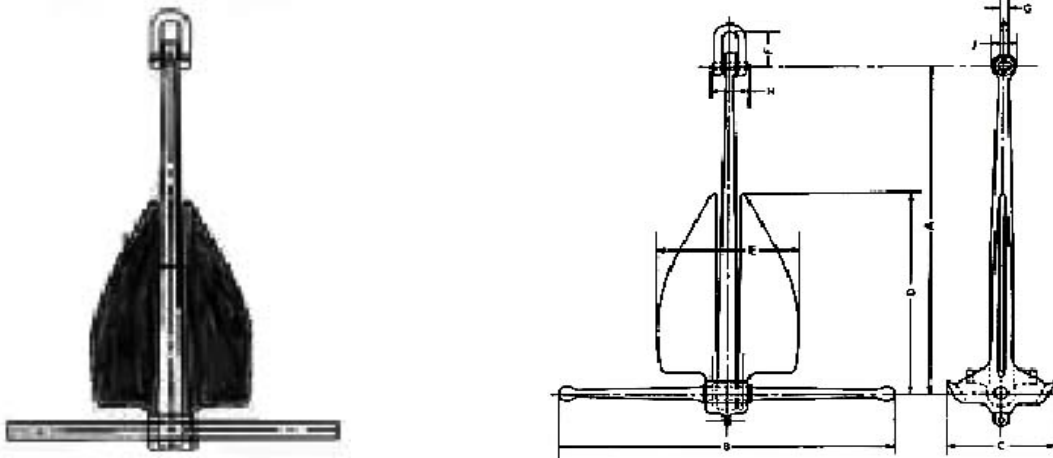


LWT ANCHOR



Anchor kg	Dimensions in mm								
	A	B	C	D	E	F	G	H	J
8	20	19	5 9/16	11 1/2	7 1/4	1 11/16	3/8	1 1/2	1
16	25	23 3/4	7	14 1/2	9	2 1/8	1/2	1 7/8	1 1/4
30	30 1/4	28 3/4	8 3/4	17 1/2	11 3/8	2 1/8	1/2	1 7/8	1 3/8
50	34 3/4	33	9 15/16	20	12 7/8	2 7/8	5/8	2 3/8	1 5/8
75	38	36	11	22	14 3/8	3 1/2	3/4	2 1/2	2
100	41 1/2	39 1/2	12 3/16	24	15 5/8	3 3/4	7/8	3 3/8	2 1/4
150	46 3/4	44 1/2	13 11/16	27	17 3/8	5 1/2	1	4	2 3/8
200	47 1/2	45	14 3/16	29	18 7/8	5 1/2	1	4	3 1/8
250	47 1/2	45	14 9/16	29	18 7/8	5 1/2	1	4	3 1/8
300	53	50	16 5/16	32 1/2	21 1/4	7	1 1/4	5	3 1/4
350	53	50	16 11/16	32 1/2	21 1/4	7	1 1/4	5	3 1/4
400	57 1/2	54 1/4	17 3/4	35 1/4	23	7	1 1/4	5	3 1/2
450	60	56 1/2	18 3/8	36 3/4	24	7	1 1/4	5	3 3/4
500	61 1/2	58 1/2	19	37 1/2	24	7 1/2	1 1/2	6	4 1/4
750	69	64 1/2	21 1/8	42	28 7/16	7 1/2	1 1/2	6	4 7/8
1000	75	71	24 1/2	46	29 1/4	9 3/4	2	8	5 1/4
2000	92 1/2	85	30	56 1/2	37 1/4	12	2 1/2	9 1/2	7
3000	108 1/2	104	34 3/4	66	40 3/8	15	3	11	7 3/4
4000	116	110	37 1/2	71	44	15	3	11	9
5000	118	112	38 3/4	72	44 3/4	17	3 1/2	12 1/2	9 1/2
6000	124	118	41	76	47 1/4	19	4	14	10 1/4
7000	124	118	41	76	47 1/4	19	4	14	10 1/4
8000	128	121	43 1/2	78	50 1/4	19	4	14	12
9000	133	126	45 1/4	81 1/8	52 1/4	19	4	14	12 1/2
10000	144	137	49	88	55 1/4	22	4 1/2	16	13
11000	144	137	49	88	55 1/4	22	4 1/2	16	13
12000	146	138 1/2	49 3/4	89 1/8	57 3/8	22	4 1/2	16	13 3/4
13000	154	146	52 1/2	94	60 1/2	22	5	17 1/2	14 1/2
14000	154	146	52 1/2	94	60 1/2	24	5	17 1/2	14 1/2
15000	157	149 1/4	53 5/8	96	61 7/8	24	5	17 1/2	14 7/8
16000	161	152 1/2	54 7/8	98 1/4	63 1/4	24	5	17 1/2	15 1/8
17000	164	155 1/2	56	100	64 1/2	24	5	17 1/2	15 1/2
18000	167	158 1/2	57	102	65 5/8	24	5	17 1/2	15 3/4
19000	170 1/8	161 3/8	58	104	66 3/4	25	5 1/2	20	16
20000	173	164	59	106	68	25	5 1/2	20	16 3/8

(Remark: All Weights & Dimensions are approximate, the measurements may vary between different factories)

