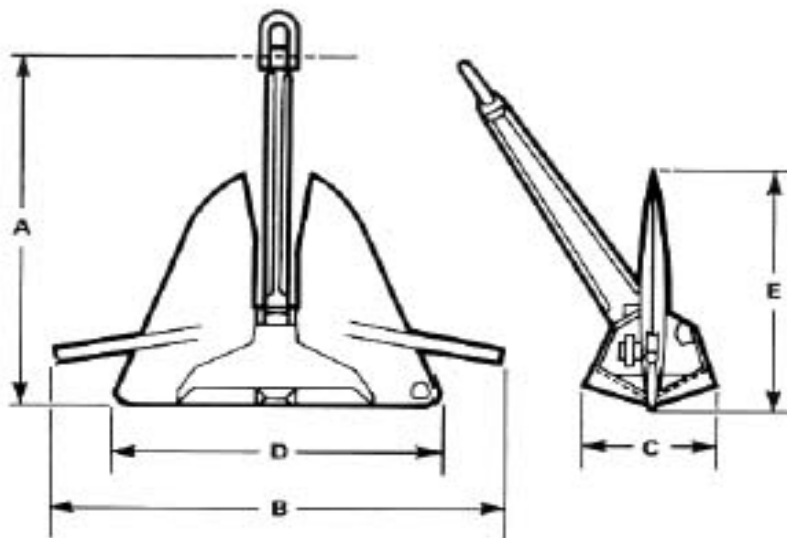


# STEVIN ANCHOR



| Anchor<br>kg | Dimensions in mm |      |      |      |      |
|--------------|------------------|------|------|------|------|
|              | A                | B    | C    | D    | E    |
| 1000         | 2305             | 2645 | 750  | 1925 | 1545 |
| 1500         | 2640             | 3025 | 860  | 2200 | 1770 |
| 3000         | 3330             | 3815 | 1080 | 2775 | 2230 |
| 5000         | 3945             | 4520 | 1280 | 3290 | 2640 |
| 7000         | 4415             | 5060 | 1435 | 3680 | 2955 |
| 9000         | 4800             | 5500 | 1560 | 4000 | 3215 |
| 12000        | 5285             | 6055 | 1715 | 4400 | 3540 |
| 15000        | 5690             | 6520 | 1850 | 4740 | 3810 |
| 20000        | 6265             | 7175 | 2035 | 5220 | 4195 |
| 30000        | 7170             | 8215 | 2330 | 5975 | 4800 |

(Remark: All Weights & Dimensions are approximate, the measurements may vary between different factories)